

# SAM

*sit and move*

Mobility in  
health and  
care service

Your added value



**GYMO**

Medisinsk utstyr og helseartikler

Telefon: 40 00 35 22

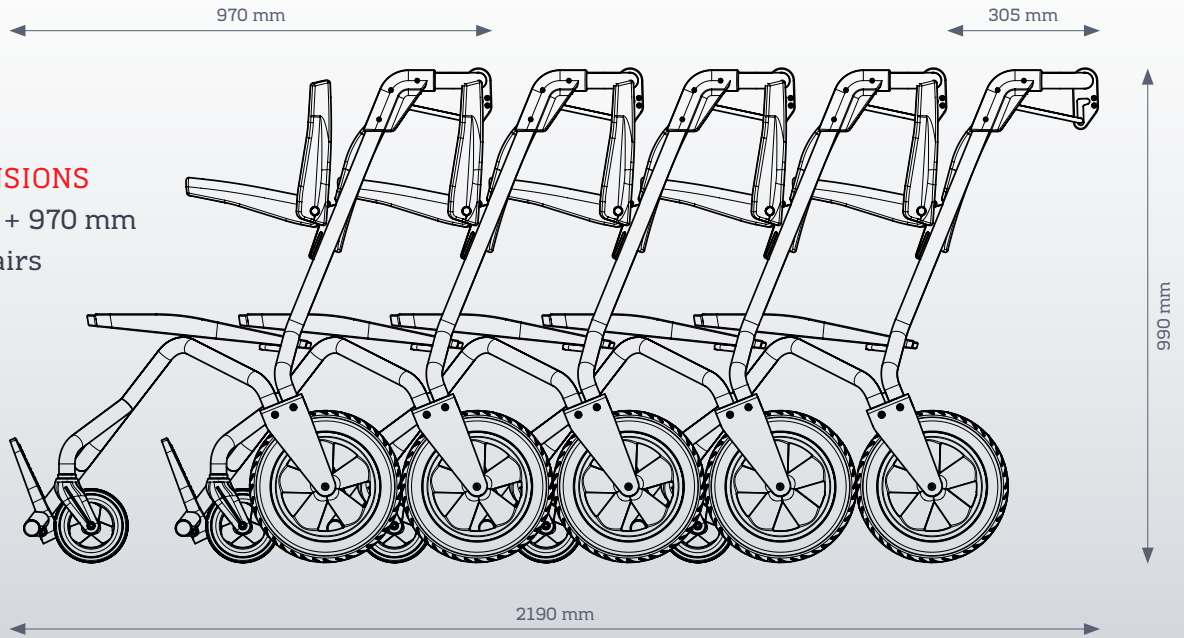
E-post: [post@gymo.no](mailto:post@gymo.no)

Web: [www.gymo.no](http://www.gymo.no)

**+ STACKING DIMENSIONS**

$((n-1) * 305 \text{ mm}) + 970 \text{ mm}$

n = Number of chairs





## Mobile Patient Transfer Chair

In a society that is becoming older, more agile and more mobile – put down a marker. Thanks to SAM, you can now enjoy a comfortable offer during time consuming as well as inconvenient and unpleasant stays and visits.

Differentiate yourself from others with SAM and create an added value within your service spectrum. Enable your guests to enjoy a relaxed stay without being obliged to a classic wheelchair.

In comparison to classic wheelchairs, our SAM does not give the user the impression of being ill and restricted making itself a popular choice. The modern, understated design of SAM allows

anyone with limited mobility to enjoy a relaxed and unrestricted movement. For example through:

- an integrated safety braking system that is gentle on the hands,
- the use of high quality materials,
- a space saving design, folding armrests and footrest,
- durable, low noise and fail-safe tyres.

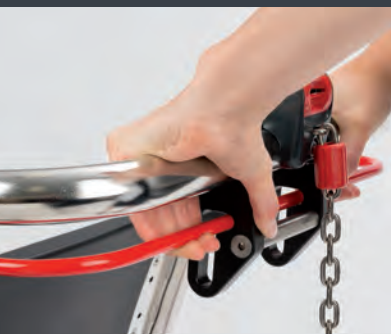
The well-thought-out accessories (seat belt, parking station etc.) and the options for individual advertising of this service make SAM a comprehensive and carefree package for health and care services.

**+ SAFE AND COMFORTABLE**

**+ SPACE SAVING AND STACKABLE**

**+ 150 KG STURDY LOAD CAPACITY**

**+ PERSONALISED ADVERTISING**



S-SAM004

# Examples for accessories



+ SEAT BELT

Z-SAM002



+ KEYCARD DEPOSIT SYSTEM

Z-SAM007



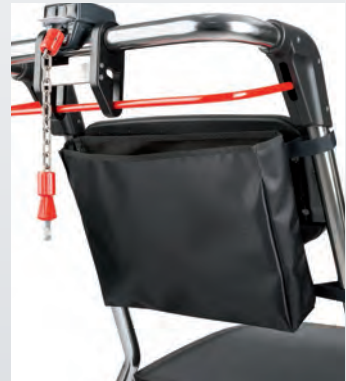
+ COIN DEPOSIT SYSTEM

Z-SAM003



+ INFUSION POLE

Z-SAM001



+ MULTI-PURPOSE BAG

Z-SAM008

More accessories and other token systems on request.



+ PARKING STATION  
FREE STANDING

Z-SAM004



+ PARKING STATION FOR  
WALL ASSEMBLY

Z-SAM005



+ HOLDER FOR WALKING  
STICKS

Z-SAM013



+ OXYGEN BOTTLE  
HOLDER

Z-SAM012



+ LUGGAGE TRAY

Z-SAM011

The solution  
to your  
**+** outpatient  
department

The leg rest can easily  
and comfortably be  
laterally stowed.

S-SAM003



**+ SUPPORTING POSITION**

The leg rest can whether be inserted on the  
right or left. The locking mechanism is done  
through a locking pin.









For shopping centres, furniture stores, pedestrian shopping zones or city tours



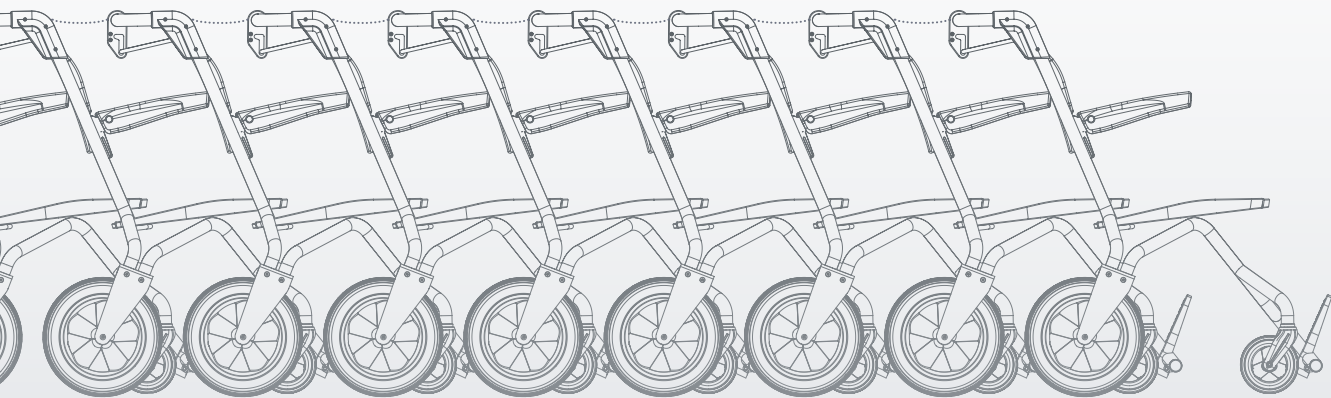
Mobile guest chair for hotels, restaurants, pubs



For museums, theme parks, zoos, tourism, culture etc.



Mobility for administration, health and public facilities



**provita**<sup>®</sup>  
medical

Distributør i Norge:  
Gymo AS  
[www.gymo.no](http://www.gymo.no)

Tlf: (+47) 4000 3522  
E-post: [post@gymo.no](mailto:post@gymo.no)