



INSTRUCTION MANUAL

(INSTRUCTION, ASSEMBLY AND SERVICE MANUAL)
HOSPITAL BED WITH SCISSOR-PANTOGRAPH MECHANISM AND
ELECTRICALLY OPERATED MATTRESS PLATFORM TYPE:

LEO

CONTENTS

1	Introduction	3
1.1	To what it concerns:.....	3
1.2	Features:	4
1.3	Use	4
2	WARNINGS AND CAUTIONS	4
2.1	General warnings	5
3	Symbol Definitions	7
4	Parts	9
4.1	Parts specification	9
4.2	Optional accessories:	10
5	Bed Assembly	11
5.1	Before assembly	11
5.2	Wooden side rails assembly.....	12
5.3	Metal side rails assembly	12
5.4	Fitting electrical system	13
5.5	Arranging holders for power cables.	14
5.6	Checking the bed.....	15
6	First use	15
6.1	General safety	16
6.2	Preparing for start.....	16
6.3	Break system	17
6.4	Side rails and mattress	17
6.4.1	Mattress thicknesses.....	17

6.4.2	Operating wooden side rails	18
6.4.3	Operating metal side rails	18
6.5	Emergency pull-out of the bed end board	19
6.6	Electrical control of manual control.....	19
6.6.1	9 i 10 button handset operation	20
6.6.2	Handset lockout	20
6.7	Leg section / knee break	21
7	Disassembling the bed for transport	22
7.1	Wooden side rails.....	22
7.2	Metal side rails	23
7.3	Electrical parts.....	23
7.4	Bed ends.....	23
8	Power failures	23
8.1	Emergency lowering backrest and leg sections	23
9	Decontamination	24
10	Maintenance	25
10.1	General maintenance.....	26
10.2	Fault finding	27
10.3	Utilisation	28
11	Warranty	28
12	Bed technical data.....	28
12.1	Specification.....	28
12.2	Maximum load	30
12.3	Electrical data.....	30

1 INTRODUCTION

Thank you for your trust and purchase of our product. The user should carefully read this instruction manual before using the bed. Please ensure that you understand all instructions. In case of any questions regarding the operation or maintenance of the bed, please contact the seller.

1.1 TO WHAT IT CONCERNS:

This manual covers the scope of the type LEO beds. Code description, comprising a bed serial number is shown below:

- LEO/
- LEO/M/260
- LEO/W/
- LEO/W/260
- LEO/3P
- LEO/3P/260
- LEO/4P
- LEO/4P/260
- LEO/MED/
- LEO/M/SIL
- LEO/M/SIL/260

- LEO/ - LEO bed in magnolia colour of mattress platform
- /260/ - bed with lowered height of mattress platform
- /3P/ - bed consisting of 2 sections and metal mesh mattress platform
- /4P/ - bed consisting of 4 sections and metal mesh mattress platform
- /M/ - bed consisting of 4 sections and metal slat mattress platform
- /W/ - bed consisting of 4 sections and wooden slat mattress platform
- /MED/ - medical bed with pull-out head end, bumpers, metal rails and silver mattress platform
- /SIL/ - silver colour mattress platform bed with decorative slats and plastic castors
- /L01/ - available head end type
- /L02/ - available head end type
- /L03/ - available head end type
- /L04/ - available head end type
- /L05/ - available head end type

1.2 FEATURES:

- Electrically operated backrest and knee break
- Variable electrically operated head and foot down tilt (Trendelenburg* and reverse Trendelenburg)
- 2 or 4 separate sections (adjustable both head and foot sections or only head section adjustable)
- Auto contour – simultaneous adjustment of backrest and knee-break sections (4-section beds)
- Wooden or metal full length side rails
- Pull-out backrest (Taurus MED)
- Autoregression (optional system against decubitus)

**The Trendelenburg function available for hospital environment and nursing homes.*

1.3 USE

LEO beds with scissor-pantograph mechanism has been designed to provide users with optimum independence and freedom of movement . LEO bed with a 9-button handset (Trendelenburg position locked-off) is intended for use within domestic environment. A 10-button handset is available for hospital environment or under the supervision of a trained care person or nurse in domestic environment. The bed largely relieves the care person owing to fully electrically contoured mattress platform allowing for matching position to the needs of the patient.

2 WARNINGS AND CAUTIONS



Warnings in this instruction manual are potential hazards that if neglected, can lead to injury or death.

Cautions in this instruction manual are potential hazards that if neglected, can lead to damage of the device.

2.1 GENERAL WARNINGS

Warnings



- Before you use or installation please read the instruction manual carefully.
- The user is obliged to observe these instructions.
- Misused electrical equipment may be hazardous.
- Accessories that have not been designed for use with the bed should not be used.
- Actuators should not be used in the presence of flammable gases.
- Setting up and using the bed should be on flat, horizontal surfaces so that all the castors touch the ground.
- The place of use of the bed there should be no obstacles to the proper operation or installation.
- The bed should be used according to its intended purpose.
- Start and use of the defective device that could pose a risk to patients or others is forbidden.
- In the absence of supervision of the patient (if such circumstances occur), the bed should be set to the highest position of railings on both sides of the bed. Unlocking and lowering them can be done only by the responsible person (care person or nurse).
- During assembly / disassembly and regular operation, particular attention should be paid to the risk of hand injury.
- During transport, hold only the constant, massive parts of the bed ends!
- Before each use, check the bed and lock all four wheels.
- Leaning against or resting on rails may cause accidents!
- Leaning out of the bed is a threat of injury!
- Placing limbs between the moving elements of the bed may cause injury and accidents.
- During the adjustment and maintenance attention should be paid to ensure that no part of the body is found in the potentially hazardous section (movable: headrest section, leg section, high/low system, side rails)
- When adjusting the footrest and headrest do not place hand between the mattress and the metal parts of the platform because of the risk of injury to the limbs!
- Pulling the plug out of the socket is permissible only for holding the body of

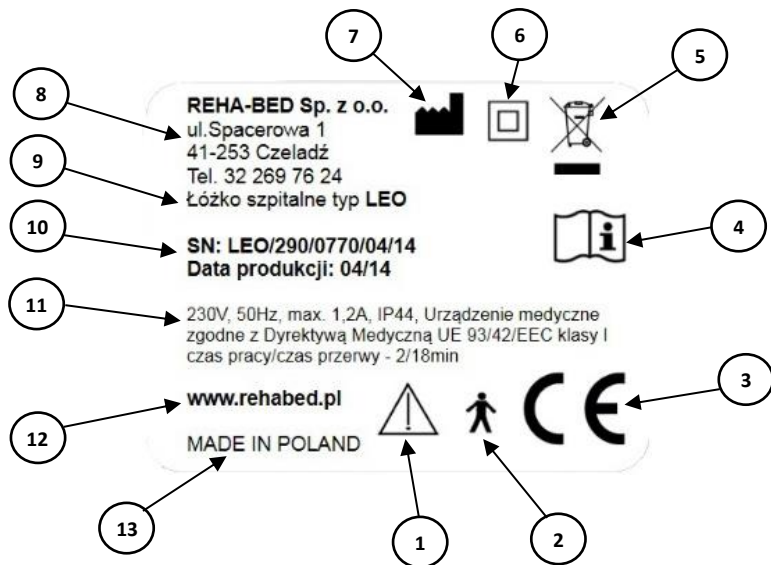
the plug / adapter, not the cord.









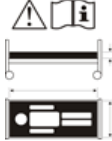

- Deformed lifting pole should be promptly replaced.
- Side rails must be installed on both sides of the bed (on the side of the wall as well).
- The patient should not be left in the Trendelenburg or reverse Trendelenburg position!
- Wheels should be locked/unlocked by foot, not by hand.
- Bear in mind that self repair poses a risk of accidents or damage to the bed!
- Do not open the lid of actuators, control box and power supply!
- Transporting the patient to hospital wards is permissible exercising caution to the door sills and narrow corridors. The transportation should take place in the lowest position of the mattress platform while maintaining the patient in the horizontal lying position.
- Particular attention should be paid to current wiring not being among movable parts of backrest/leg section and high/low system of the bed, which may cause malfunction.
- All lines must be suspended on dedicated brackets, so they are not frayed and do not touch the floor.
- The use of additional mechanical or electrical devices not intended for use with the bed is unacceptable.
- Maintenance, repair and disinfection may be conducted only by specially trained persons.
- Only original spare parts supplied by the manufacturer are allowed.
- Safe working load of the bed and lifting pole should not be exceed !
- Incandescent or burning items(candles, cigarettes, etc.) should be kept away from the bed.
- In case of damage to the rails (bending, breaking, cracking, etc.), they should be immediately replaced with new ones due to the risk of an accident.
- Do not sit on the raised sections of the thigh and lower leg.
- A handset must be locked, if the patient should not change the height and / or tilt of the back and leg sections.
- Maximum operating time of actuators is 2 minutes for 18 minutes break. Failure to comply with the afore-mentioned will result in permanent damage to the actuator.
- The bed should be in the lowest position, if the patient is left unattended, in order to minimize the risk of injury caused by a fall.

- With standard length side rails, the maximum height of the mattress is 148mm.
- With side rails with height extensions, the maximum height of the mattress is 260mm.
- Side rails may only be used with proper size mattresses intended for the bed.
- The bed can not be used in case any screws are missing.
- Particular attention should be paid to small children, the patient's limb or other items around the bed that could entrap in a space between mattress platform and the chassis and be damaged or injured.
- Disassembly and seal break of actuators or control box will void the warranty and create risk of electric shock!
- All the above warnings and cautions should be strictly adhered to.

3 SYMBOL DEFINITIONS

Following symbols put on the bed are applied in the drawing and table below on page 8 and 9.



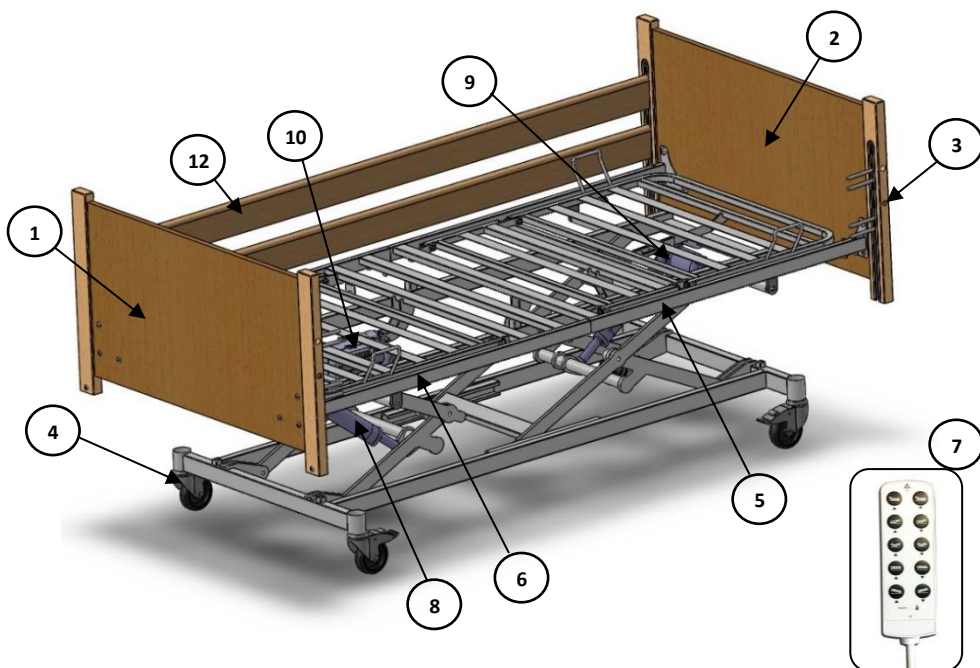
1		Warning
2		Application part type B
3		The product meets the requirements of so-called "New Approach" directives of the European Union
4		Refer to instruction manual
5		The product is designed for waste collection in designed collection point. Do not discard in general waste.
6		Class II
7		Manufacturer
8		Manufacturer's contact details
9		Type
10		Serial number, date of manufacture
11		Actuators' electrical data
12		Manufacturer's website
13		Country of origin
		Maximum user weight & Safe working load (figures differ for BARIATRIC bed)
		Refer to Instruction Manual for mattress suitability
		See Instruction Manual

		Beware of Foot Entrapment when Moving Bed
		DYNAMIC MATTRESSES MUST ONLY BE STRAPPED TO MOVING PARTS OF BED FRAME
		KNEE BREAK TO BE USED LIFTING PATIENT LEGS ONLY

4 PARTS

4.1 PARTS SPECIFICATION

The picture shows 4-section bed with scissor-pantograph mechanism (head and leg sections adjusted) and electrically operated mattress platform made up of the following parts:



Picture 1. List of Bed Parts

1	Head end	1 pcs
2	Foot end	1 pcs
3	Side rail release button	4 pcs
4	Castor	4 pcs
5	Leg section	1 pcs
6	Back section	1 pcs
7	handset	1 pcs
8	High-low actuator	1 pcs
9	Leg section actuator	1 szt.
10	Back section actuator and control box	1 pcs
12	Wooden side rails	4 pcs
13	Metal side rails (see chapter: „Metal rails assembly”)	2 pcs

4.2 OPTIONAL ACCESSORIES:

TB	Serving tray
LP	Lifting pole with handgrip (Max load 75kg)
LP/SIL	Lifting pole with handgrip silver colour
TP	Drip hang
TR/EX/KIT	Bed extension(+20 cm)
TR/SR/EX	Optional wooden side rail fitted up standard rails (height extension)
RL	Reading lamp

Warning



- During assembly / disassembly and regular operation, particular attention should be paid to the risk of hand injury.
- The bed can not be used in case any screws are missing.

5 BED ASSEMBLY

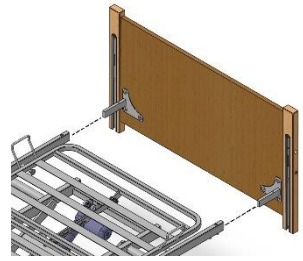
5.1 BEFORE ASSEMBLY

Warning

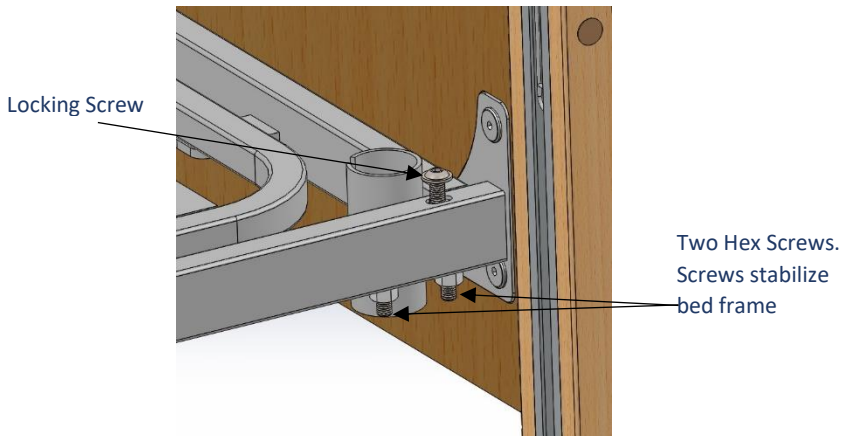


- Before attempting to assemble the bed, ensure these instruction manual has been read and fully understood.
- It is advisable to assemble the bed with another able bodied person

1. For assembly clear the intended area, paying particular attention to the fact that any movement of the bed will not be obstructed.
2. Apply the brakes to all 4 castors.
3. Fit both bed ends sliding the spigot into the platform's end and determine the position of the hex screws. **Do not tighten the screws! Only after installing wooden side rails, tighten the 3 screws in each of the four corners of the bed).** When installing metal side rails, all 3 screws in each corner of the bed can be tightened.



Picture 2. Bed End Assembly

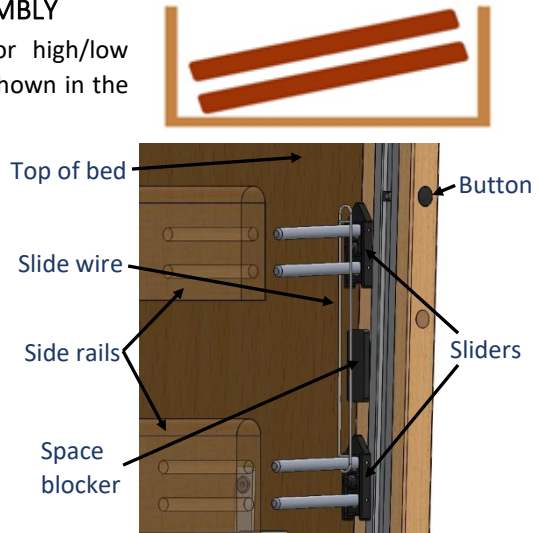


5.2 WOODEN SIDE RAILS ASSEMBLY

4. Insert side rails in slides for high/low system in both bed tops, as shown in the drawing below.

Remembered to raise the slides to the highest position at the head end and the lowest position at the foot end. **When inserting side rails remember to spread apart bed ends and mattress platform!**

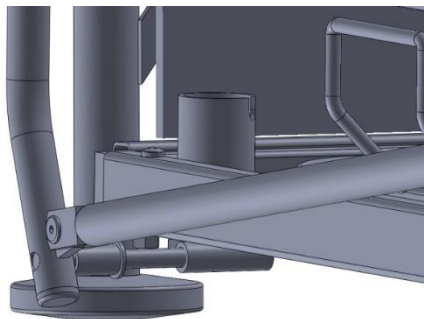
5. After inserting side rails in slides pull the two sections together. Then tighten all dome head screws. (see section 3 of the Bed Assembly).



Picture 3. Wooden Side Rails Assembly

5.3 METAL SIDE RAILS ASSEMBLY

6. Put 2 black washers on the spigots. Then put them in bush arranged below the bed platform. Do not insert spigots fully first on one side and then another but evenly on both sides of the platform. Then put another 2 washers and nuts from the inside of the platform and tighten with a 17mm spanner. Repeat accordingly for the other rail.





Warning

- In case of any questions regarding the assembly of the bed, please contact the seller. Improper installation of side rails may lead to health hazard.

7. Release the brakes on the castors.



Warning

- The bed can not be used in case screws are missing.



Caution

- Make sure that all retaining straps have been removed from any bed parts. If not, the bed board can be damaged.

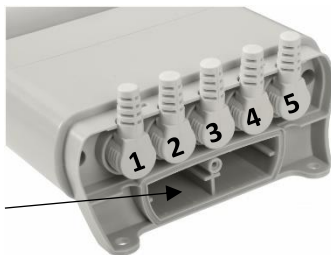
5.4 FITTING ELECTRICAL SYSTEM

8. Fitting actuators and a handset.

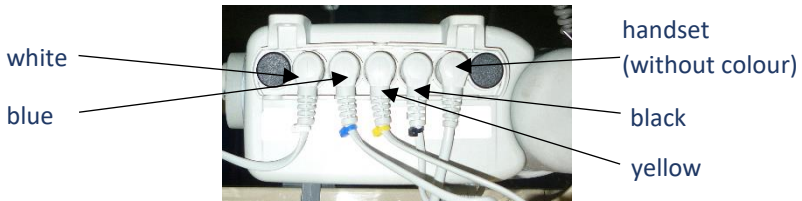
- Before installation, check condition of power cable, handset cable, actuators' cables and batteries in the control box (if supplied) and make sure they are not damaged.
- Then match the cables to the colour graphic on the control box, as shown in the drawings on page 13 and 14. Once all the cables are connected they are to be secured in place by attaching the supplied anti-removal clip.

1. Handset
2. Foot end actuator
3. Head end actuator
4. Foot end board actuator
5. Head end board actuator

Place for
batteries



Picture. 4. Control box easy



Picture 5. Control Box with Color Bands on Cables

- c. Connect the power cord into the socket on the bottom of the control box, and then plug the power adapter to the mains system.

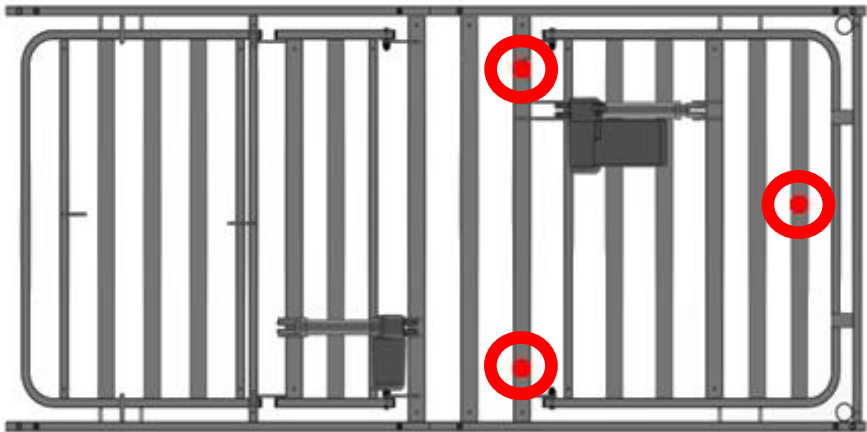


Caution

- Unthightening and break the seals of actuators or control box will void the warranty.

5.5 ARRANGING HOLDERS FOR POWER CABLES.

LEO sized beds are equipped with seven handles that allow the power cable suspension under the surface of the mattress. Picture shows the arrangement.



Rysunek 6. Places for cables



Warning

- All cables must be suspended from the platform frame on dedicated brackets, to avoid rubbing and not to touch the floor.

5.6 CHECKING THE BED

The bed is now fully assembled. Before the bed is put into use ensure the bed is correctly assembled

- Are all screws on all 4 corners of the bed fully tightened fully? (8 black grub screws)
- Are dome screws in the middle of the bed platform, connecting the head section and the leg section, fully tightened? (2 black grub screws)
- Has all packaging been removed, e.g. retaining straps securing the components?
- Are the cables free of all moving parts of the bed and is there sufficient slack in the cables to allow for movement?
- Has an assessment been performed on the suitability of the bed for the user?

6 FIRST USE

Prior to using the bed for the first time the following risk assessment must be performed (see page 5) based on the status of the patient and their body. This assessment should include, but is not limited to:

- The possibility of patient entrapped
- Fall out of bed
- The possibility of interference from small children (and adults)
- Patients with learning disabilities
- Unauthorized persons
- Physical and mental condition of the patient
- Housing conditions

Warning



- Functions of the bed should be blocked if there is any doubt regarding the patient's ability to safely operate the bed.
- Prior to each operating the bed ensure the brakes on all the castors have been applied.

6.1 GENERAL SAFETY

- When the bed is operated, make sure that objects such as a bedside table or other furniture are not an obstacle.
- Keep distance from the walls of min 15 cm.
- Make sure all cables are not under excessive tension.
- Make sure that every used mattress is the right size and has been filled correctly. The Reha-Bed Sp. z o.o. offers the right mattresses.
- Before operating the bed, make sure that the patient has been positioned correctly.
- When the patient is left unattended, make sure that the bed is set at the minimum height.

Caution



- Only medical mattresses are allowed. Using other types of mattresses may cause damage to the bed.
- Placing the limbs or other objects between the moving parts of bed may cause damage or accident.

6.2 PREPARING FOR START

Prior to using the bed for the first time:

- Ensure the bed and all accessories are at room temperature.
- Ensure the bed has been cleaned and disinfected (see chapter disinfection).
- Ensure the power cable is plugged appropriately.
- Ensure the brakes on the castors have been applied.
- Ensure the bed is level, on the flat surface and all electrical functions controlled by handset work properly.



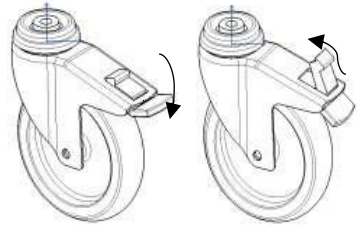
Warning

- Note, if the electrical functions do not operate ensure the handset has been 'unlocked' (see „handset operation”).

6.3 BREAK SYSTEM

The bed has 4 braked castors.

- To apply the brakes: Press the brake pedal down.
- To release the brakes: Lift the brake pedal up.



Warning



- If the bed is to be pushed up/down a slope it is advised that two people move the bed, with one person at each end.
- If the bed is to be pushed with a heavy load it should be assessed whether or not two people should move the bed, this is dependent on the situation and load on the bed.

6.4 SIDE RAILS AND MATTRESS

The bed comes as standard with full length side rails. Wooden rails extend over the entire length of the bed. Whereas metal railings protect the patient from head section to the thigh section. Additionally, you can order a height extension to wooden rails.

6.4.1 Mattress thicknesses

Warning



- With standard length side rails the approved maximum mattress height is 148mm.
- With side rails with height extensions, the mattress maximum height is 260mm.
- Side rails must only be used with proper size and type mattresses approved for use with electronically operated beds.

6.4.2 Operating wooden side rails



Warning

- When in the raised position, ensure the side rails are locked in place at all times .
- The size of side rails should consider the age, condition and size of the patient.
- Side rails are not designed to support the patient.
- Side rails are not designed to be used as a patient lifting aid.
- When operating the side rails ensure they are free from obstructions, to prevent injury or entrapment.



Caution

- Do not use the side rails to move the bed.
- When lowering do not drop the side rail.

To lower side rails:

1. Lift the side rail gently upwards.
2. Press the release button for side rails.
3. Gently lower the side rail (the release button can be let depressed when lowering side rails).

To raise side rails:

1. Lift the side rail until it is heard to latch into position at the top height.

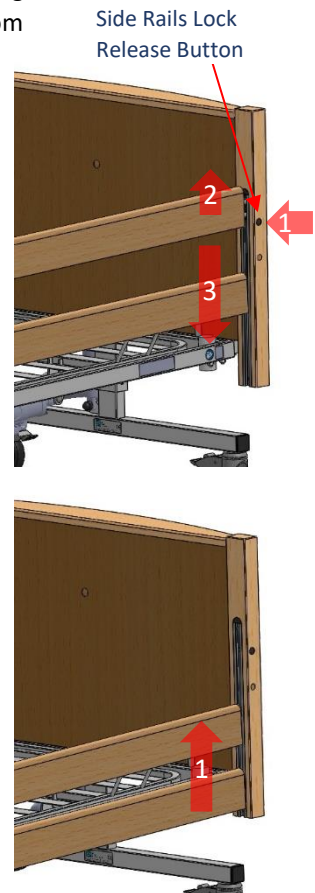
6.4.3 Operating metal side rails.

To lower metal side rails:

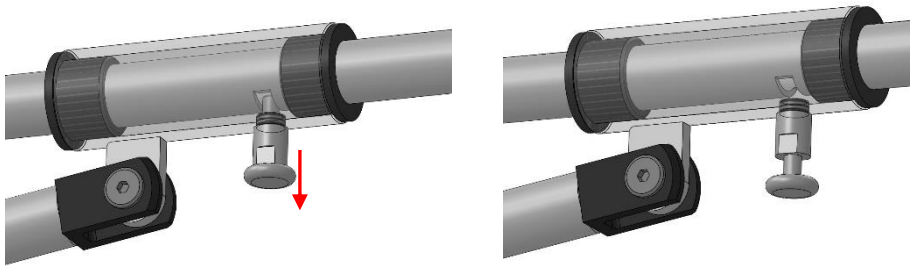
1. Pull the pin
2. Gently lower the side rails to avoid finger entrapment

To raise metal side rails:

1. Lift the side rail until you hear it latch into position at the top height.



Picture 7. Wooden Side Rails Up/Down



Picture 8. Metal Side Rails Up/Down

6.5 EMERGENCY PULL-OUT OF THE BED END BOARD

To remove the board in order to facilitate access to the patient (eg, if intubation necessary), grasp the side of the board, and then pull up.



Warning

➤ In order to pull out or put in the bed end board, brakes should be applied on castors!



6.6 ELECTRICAL CONTROL OF MANUAL CONTROL

The bed operation does not interfere with other electrical devices. LEO beds have been equipped with 2 types of handsets. A 9-button handset (Trendelenburg position locked-off) is intended for use within domestic environment. A 10-button handset is available for hospital environment or under the supervision of a trained care person or nurse in domestic environment. The handsets are easy to use, so you can raise and lower the platform and adjust its tilt. The handset should be operated by the care person and if it is so make sure the patient has been made aware of the change of position about to take place.

Warning



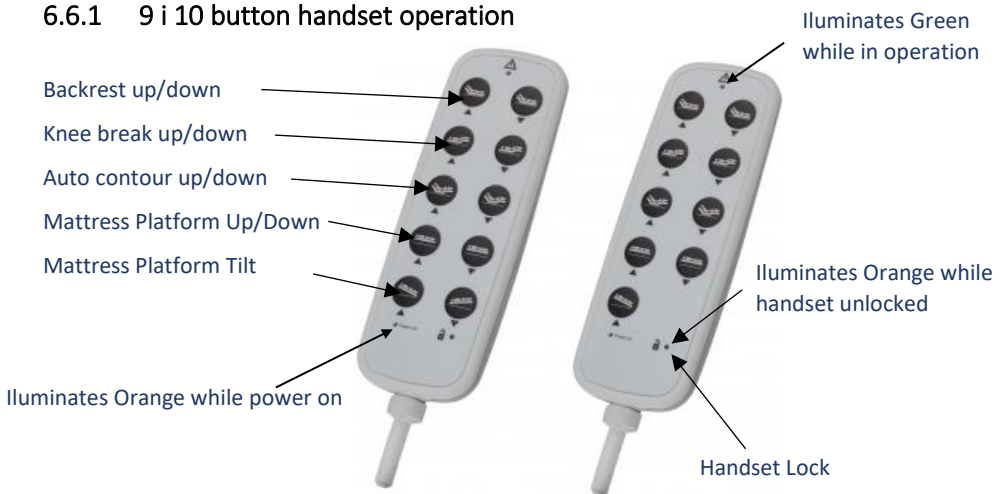
- Make sure that the risk assessment has been performed of self-operating handset by the patient based on the status of the patient and their abilities.
- Pay special attention to items, limbs, power cable and other accessory parts at a time when the handset is in use. Failure to follow this warning could result in damage to the bed or injury.

Caution



- The handset should be hung on the side rails or the bed end with extreme caution to the cable leading to the control box.

6.6.1 9 i 10 button handset operation



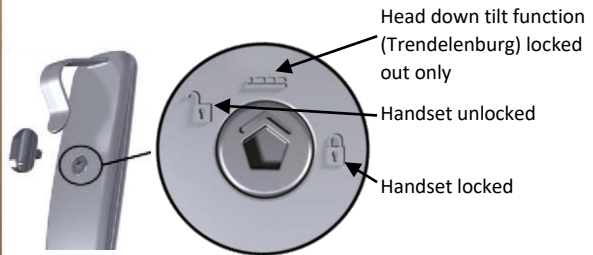
Picture 9. Handsets with 9 and 10 buttons DEWERT IPROXX 2

6.6.2 Handset lockout

The handset is supplied with a lockout function which enables the care person to disable the handset with a magnetic or mechanic key until the light is on/off. To lock/unlock the handset, swipe the key over the padlock symbol. In the case of a mechanical lock, turn the locking screw located on the back of the handset to lock / unlock the key.



Pic 10. Magnetic Key for DEWERT IPROXX Handset



Pic 11. Mechanical Key for DEWERT IPROXX 2

Warning



- The handset should be locked if the patient should not change the height and / or tilt of the back and leg sections.



Picture 12. Handset Lock Function

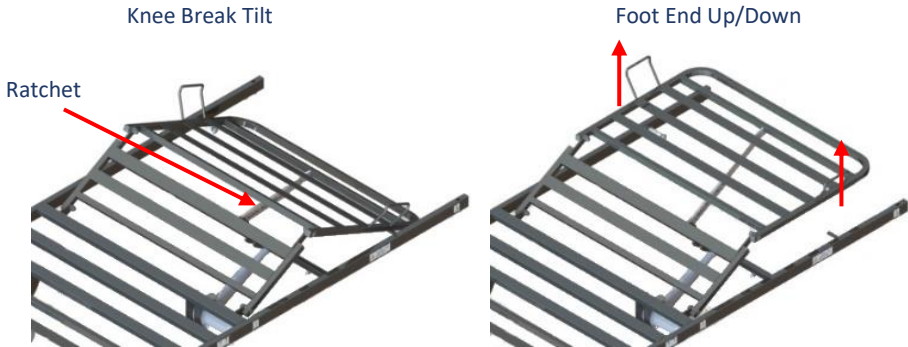
Warning



- The bed is not fitted with a battery backup facility. The bed must always be plugged into the mains supply during normal use.

6.7 LEG SECTION / KNEE BREAK

The bed is fitted with an adjustable leg section. Knee break/leg section is adjusted by the 6-step ratchet. The ratchet position determines the leg section position and tilt. To raise the leg section mechanically, lift it with a handle until the ratchet engages. To lower the leg section, gently lift it and then strongly lower it.



Picture 13. Leg Section

7 DISASSEMBLING THE BED FOR TRANSPORT

Warning

- Before assembling the bed, make sure operating instructions have been read and fully understood.
- The bed should be assembled with another person.
- During transport, hold only the constant, massive parts of the bed ends!

7.1 WOODEN SIDE RAILS

- Raise/lower the bed to approximately its mid height.
- Unscrew the aluminum profile in the wooden bed end.
- Gently put out the bottom side rail.
- Gently put out the upper side rail.
- Plastic spacer should be released.
- Put plastic parts back inside the aluminium profile.
- Insert the dome screw that secures the aluminum profile.
- Repeat the above steps on the other side of the bed.

7.2 METAL SIDE RAILS

- Apply the brakes on castors.
- Remove the nuts from the inside of the platform with a 17mm spanner.
- Remove the washers.
- Remove spigots from bush
- Remove washers from bush and keep them.

7.3 ELECTRICAL PARTS

- Ensure the bed is level (lower the head / leg sections) and lower the bed to its lowest position.
- Unplug the mains cable from the mains socket.

7.4 BED ENDS

- Disassemble bed ends unfastening grub and dome screws (see 3 of the Bed Assembly).
- Remove bed ends from spigot and put them gently aside.

8 POWER FAILURES

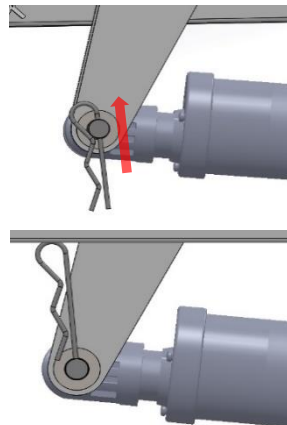
If the bed has an emergency battery backup and mains power failure occurs; bed functions will be limited only to leave the bed for a short period of time (up to the discharge of the batteries). In the absence of an emergency battery backup, the bed remains in the position in which it is set. If backrest/knee break section is raised it will remain in the set position.

8.1 EMERGENCY LOWERING BACKREST AND LEG SECTIONS

The backrest and knee break are operated via two individual actuators that are located underneath the mattress platform. In the event of power failure and no battery backup please follow the steps below:

- If either the backrest or knee break is raised, locate the actuator supporting the relevant section.
- Address another person for assistance in holding the relevant section.

- Remove the pin that holds the bolt in place.
- Remove the bolt that holds the actuator.
- Gently lower the section to the level position.



Warning



- It is recommended that 2 persons perform the operation..
- When the pins are removed there is nothing supporting the section, the person holding the frame must be ready to support the section weight
- Beware of objects and body parts crushed between the bed headrest and platform frameworks.

9 DECONTAMINATION

Infection control and routine cleaning must be carried out in accordance with the Infection Control Policy.

Warning



- Always disconnect the bed from the main power supply prior to cleaning.

It is advisable to remove any accessories that are fastened to the bed.

These instructions apply to all accessories apart from soft products (e.g. mattresses).

- All surfaces to be wiped down with a soft cloth moistened with a mild detergent diluted in warm water (40°C).
- The bed should be cleaned starting with the cleanest parts of the bed and systematically moving to the dirtiest parts. Extra care should be taken around areas where excess dirt or dust may gather.
- The cloth should be changed during the cleaning process if it becomes dirty.
- Rinse down with clean water to remove detergent residue.
- Wipe surfaces down with 0.1% chlorine solution
- Dry off with a paper towel.

-
- Always ensure the cleaned parts are allowed to dry before putting the mattress back in place.

Note: If any of the 3 stages stated above (detergent, rinse down & chlorine solution) are omitted it will reduce the effectiveness of the clean.

In cases of blood spills or other bodily fluids it is recommended that a 1% chlorine solution is used.

Note: The use of bleach or similar surface cleaners is not recommended as damage may be caused to the cleaned surfaces.



- During decontamination use appropriate protective cover to minimize contact of these measures with the skin. Always check what neutralizing agent is recommended by the manufacturer.
- Pay special attention to the decontaminator does not get into the electronic system, sockets and other electrical components - the possibility of a short circuit.
- Decontamination operations performed by an unauthorized person carry danger for th person as well as for the environment.
- The bed manufacturer assumes no responsibility for any loss or damage caused by improperly conducted decontamination.

10 MAINTENANCE

Only authorised service personnel or Reha-Bed Sp. z o.o. service engineers should carry out repairs or service activities. Reha-Bed Sp. z o.o. is not liable for unauthorised repairs. Failure to observe th rule may result in the manufacturer's warranty becoming void. Service activities may be performed by any trained person or service personnel. **The bed must be serviced every six months, as a minimum.** Reha-Bed sp. z o.o. also recommends that the care person performs frequent visual and operational inspections. If there are any signs of damage or the bed is not performing as it should, it should be withdrawn from service until the bed has been repaired and is fit for use again.

Periodically check to ensure that:

- The bed operates as per its intended purpose.
- No parts are missing.
- All fixtures and fittings are tight.
- The frame is mechanically sound.
- No parts show signs of excessive wear.
- The bed is cleaned following the guidelines in this instruction manual.

10.1 GENERAL MAINTENANCE

Reha-Bed Sp. z o.o. recommend that the beds are serviced **every six months**.

Please act accordingly with the following instructions:



- Always disconnect the bed from the main power supply prior to performing any maintenance procedures.
- Check that all electrical functions operate correctly.
- Check that all electrical cables are in good condition
- Check that the mains cable and plugs are in good condition, if either is damaged it must be replaced as a complete assembly, the plug or cable must never be re-wired
- Check that all nuts, screws and fasteners are tight and that none are missing or incomplete.
- Check that all grub screws and hand-wheels are present.
- Check that the knee break functions work correctly.
- Check that the castors lock function correctly and that when locked the castor does not move.
- Check that the backrest section is mechanically sound
- Raise and lower the side rails. Check that they move smoothly.
- Check that the lock on the side rails automatically engages when raised.
- Check the condition and voltage of the battery for emergency battery backup. If the battery status or their nominal voltage deviates from the norm their replacement is recommended.
- Every 24 months power cables should be tested for current leakage.

For more detailed service information please contact Reha-Bed Sp. z o.o.

10.2 FAULT FINDING

Listed below are a set of electrical faults that may occur within the service life of the bed. If a fault does occur please try the following suggestions, as these may help in diagnosing the fault.

Fault	Possible cause	Remedy
Electrical functions do not work	Functions locked out on handset	Unlock functions with a key
	Mains cable not plugged into the control box or socket	Check to see if the 'power on' light on the handset is lit and the mains cable is plugged in at both ends
	Fuse blown in the mains plug	Check to see if the 'power on' light on the handset is lit, if not check fuse
	Actuator/handset cables not plugged in	Check plug connections on the control box
	Damage to mains cable, actuator cable or handset cables	Turn off the device, unplug the mains cable and contact the approved service department
	Heavy load on the bed and the duty cycle exceeded	Remove load and allow control box to cool before re-operating
Electrical functions working slow	Heavy load on the bed	Remove load
	Mains power failure. Bed operating on battery backup	Report mains power failure to relevant services.
The bed instable	Grub screws loose.	Tighten grub screws (described in section 3 of the Bed Assembly)

Warning



- During the adjustment and maintenance attention should be paid to ensure that no part of the body is found in the potentially hazardous section (movable: headrest section, leg section, high/low system, side rails)

10.3 UTILISATION



LEO-type beds are designed for a 10 year in-service time from date of manufacture. If the bed is not suitable for operation, it must be disposed of properly. In this case, all the bed components should be removed and segregated into groups of waste: metal, wood, plastics, electronics, batteries. Depleted unit must be returned in the appropriate municipal collection point. If in doubt, contact the rendering company in order to determine the appropriate action. This electrical device may not be disposed of with household waste.

11 WARRANTY

The warranty period is 24 months from the date of purchase of the bed. This warranty does not cover mechanical damage and interference in the structure, actuators and control box of the bed. In the absence of regular maintenance, the guarantor is not liable for resulting damage. Rehabed sp. z o.o. company carries out the required training.

12 BED TECHNICAL DATA

12.1 SPECIFICATION

	LEO/260	LEO/290
Overall length	2285mm	2285mm
Overall width	1055mm	1055mm
Mattress platform height	260-805mm	290-835mm

Under bed space (to underside of frame)		100mm	120mm
Mattress platform length		2000mm	2000mm
Mattress platform width		900mm	900mm
Backrest section / mattress platform tilt		0 - 76°	0 - 76°
Leg section / mattress platform tilt		0 - 34°	0 - 34°
Maximum lower leg section height		130mm	130mm
Trendelenburg position tilt		0 - 15°	0 - 15°
Reverse Trendelenburg position tilt		0 - 17°	0 - 17°
Lower leg section / seat section tilt		0 - 21°	0 - 21°
Part Weights	Legrest platform	19,2kg	19,2kg
	Backrest platform	19,2kg	19,2kg
	Head end	8,8kg	8,8kg
Bed weight		134,7kg	134,7kg
Mattress size	Length	2000mm	2000mm
	Width	900mm	900mm
	Thickness	See page 17	

12.2 MAXIMUM LOAD

	LEO 260	LEO 290
Safe working load	225 kg	225 kg
Maximum patient weight	190 kg	190 kg
Safe working load for lifting pole	75 kg	

12.3 ELECTRICAL DATA

Maximum operating time of actuators is 2 minutes for 18 minutes break must be adhered to.

Supply voltage	230 V \pm 10%, 50 Hz
Control voltage	24 - 29 V
Maximum current in	8 A
Anti-electric shock protection	Klasa II
Application part type	B
Liquid ingress protection	IPX4
Medical device compliant with Directive UE93/42/EEC	Class I, rule 12
Actuators operating time	2-minute operation/18-minute break
Noise generated during operation of actuators	52 dB
Ambient temperature	+5 to +40 °C
Humidity	20% - 90% at 30 °C

RELEASE

Technical maintenance date	Servicing company / personnel (signature and seal)	Subsequent maintenance date	REMARKS

REPAIRS AND SERVICING

Date	Description	Servicing company signature and seal

GUARANTEE CARD

FOR REHABED SP. Z O.O. BRAND

WARRANTY TERMS AND CONDITIONS:

1. Rehabed sp o.o. ensures the smooth operation of medical device for **24 months** from the date of sale, in accordance with the technical-operating conditions described in the instruction manual.
2. The batteries used for emergency lowering the bed are under **6 month** warranty of Rehabed sp. z o.o.
3. At the time of fault recognition or defects within the warranty period, they shall be repaired free of charge within 14 working days from the date of notification and making the product available for repair.
4. The User has no obligation to deliver the advertised product of weigh over 10 kg and of large size (eg area of over 3m²)
5. If the User fails to deliver the product along with a claim, set out in section 4, the complaint period shall be calculated from the date of the inspection of the advertised product.
6. Warranter is exempt from liability for damage to the product which resulted from improper use or use not compliant with the instructions (eg, storage, maintenance, breaking the seals, mechanical damage).
7. The concept of repair is not synonymous with the operations mentioned in the instruction manual, which the user is obliged to perform on one's own.
8. The warranty shall be extended by the period in which the product is under repair. In the event that the complaint procedure shall not detect a fault as a defect subject to the warranty, all costs associated with the transport / the approach, the work of a service engineer and the costs of spare parts and materials shall be covered by the purchaser (holder of the product).
9. Wear and tear as well as ongoing maintenance of the product (eg cleaning, tightening the set screws, the activities
12. The product handed in for repair should be cleaned. Cleaning is not included in warranty maintenance works. If the product has not been handed in already cleared, Manufacturer reserves the right to invoice the services associated with decontamination of the product, or not perform warranty repair and return the product at the expense of the claimer.
13. The loss of the warranty occurs in the following cases:
 - a) The data in the warranty differ from the data on the product label
 - b) The product has been used not accordingly with the instruction manual, it was used for other purposes or in other conditions than those for which it was intended. .
 - c) There has been an alteration to the product, including the repair of the product by anyone other than the Manufacturer or a service company authorized by Rehabed sp. z o.o.
 - d) The product has been damaged mechanically (eg, fall, hit, breaking, leaning or resting on side rails, etc.)
 - e) Product damage occurred as a result of environmental factors such as pollution, flooding actuators or control box, use in unsuitable conditions, and if the product has been damaged due to the user' fault (eg the use of a damaged product or inadequate equipment and bed overload, etc.)
 - f) The product has been used, despite the occurrence of faults,
 - g) The product has been damaged during transport,
 - h) The product supplied for repair is not complete,
 - i) Failure to adhere with cautions and warnings in the instruction manual.

-
- provided in the instruction manual) are not subject to warranty.
10. Warranty does not cover screws, nuts deficiencies etc., resulting from failure to perform maintenance.
 11. Replacing the advertised goods or part thereof to a new, free from defects, does not extend the warranty period
 14. Consideration of the claim applies only to products placed on the market by the Manufacturer Rehabed sp. z o.o.
-

CONTACT DETAILS OF THE AUTHORISED SALE AND AFTER SALE SERVICE:

RehaBed Sp. z o.o.
41-253 Czeladź
1 Spacerowa Street
Tel. (+48 32) 346 00 33
Fax. (+48 32) 346 00 34
www.rehabed.pl
E-mail: biuro@rehabed.com.pl
Service: r.zareba@rehabed.com.pl



REMARKS AND NOTES: